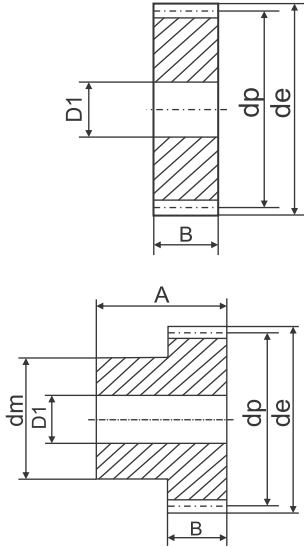


## دندہ مقابل نافی دار و بدون نافی

Pressure angle 20°

Material : C45-UNI 7845



### Tooth Width "B" for :

Module 1 = 15 mm

Module 1.5 = 17 mm

Module 2 = 20 mm

Module 2.5 = 25 mm

### Total Height "A" for :

Module 1 = 25 mm

Module 1.5 = 30 mm

Module 2 = 35 mm

Module 2.5 = 40 mm



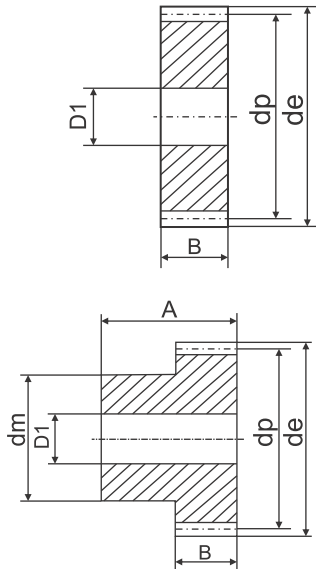
Teeth No.	Module 1				Module 1.5				Module 2				Module 2.5			
	$d_e$	$d_p$	$d_m$	$D_1$	$d_e$	$d_p$	$d_m$	$D_1$	$d_e$	$d_p$	$d_m$	$D_1$	$d_e$	$d_p$	$d_m$	$D_1$
22	24	22	18	8	36.0	33.0	25	10	48	44	30	12	60.0	55.0	45	14
23	25	23	18	8	37.5	34.5	25	10	50	46	30	12	62.5	57.5	45	14
24	26	24	20	8	39.0	36.0	25	10	52	48	35	12	65.0	60.0	45	14
25	27	25	20	8	40.5	37.5	25	10	54	50	35	12	67.5	62.5	50	14
26	28	26	20	8	42.0	39.0	30	12	56	52	40	12	70.0	65.0	50	14
27	29	27	20	8	43.5	40.5	30	12	58	54	40	12	72.5	67.5	50	14
28	30	28	20	8	45.0	42.0	30	12	60	56	40	12	75.0	70.0	50	14
29	31	29	20	8	46.5	43.5	30	12	62	58	40	14	77.5	72.5	50	14
30	32	30	20	8	48.0	45.0	30	12	64	60	40	14	80.0	75.0	55	16
31	33	31	25	10	49.5	46.5	35	12	66	62	45	14	82.5	77.5	55	16
32	34	32	25	10	51.0	48.0	35	12	68	64	45	14	85.0	80.0	55	16
33	35	33	25	10	52.5	49.5	35	12	70	66	45	14	87.5	82.5	55	16
34	36	34	25	10	54.0	51.0	35	12	72	68	45	14	90.0	85.0	55	16
35	37	35	25	10	55.5	52.5	35	12	74	70	45	14	92.5	87.5	60	16
36	38	36	25	10	57.0	54.0	35	12	76	72	45	14	95.0	90.0	60	16
37	39	37	25	10	58.5	55.5	40	12	78	74	50	14	97.5	92.5	60	16
38	40	38	25	10	60.0	57.0	40	12	80	76	50	14	100.0	95.0	60	16
39	41	39	25	10	61.5	58.5	40	12	82	78	50	14	102.5	97.5	60	16
40	42	40	25	10	63.0	60.0	40	12	84	80	50	14	105.0	100.0	70	20
41	43	41	30	10	64.5	61.5	50	14	86	82	60	16	107.5	102.5	70	20
42	44	42	30	10	66.0	63.0	50	14	88	84	60	16	110.0	105.0	70	20
43	45	43	30	10	67.5	64.5	50	14	90	86	60	16	112.5	107.5	70	20
44	46	44	30	10	69.0	66.0	50	14	92	88	60	16	115.0	110.0	70	20
45	47	45	30	10	70.5	67.5	50	14	94	90	60	16	117.5	112.5	70	20
46	48	46	30	10	72.0	69.0	50	14	96	92	60	16	120.0	115.0	70	20



## دنده مقابل نافی دار و بدون نافی

Pressure angle 20°

Material : C45-UNI 7845



### Tooth Width "B" for :

- Module 1 = 15 mm
- Module 1.5 = 17 mm
- Module 2 = 20 mm
- Module 2.5 = 25 mm

### Total Height "A" for :

- Module 1 = 25 mm
- Module 1.5 = 30 mm
- Module 2 = 35 mm
- Module 2.5 = 40 mm



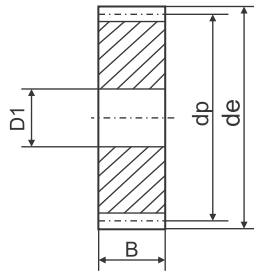
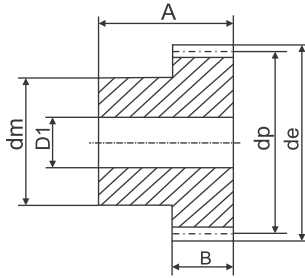
Teeth No.	Module 1				Module 1.5				Module 2				Module 2.5			
	Z	d <sub>e</sub>	d <sub>p</sub>	d <sub>m</sub>	D <sub>1</sub>	d <sub>e</sub>	d <sub>p</sub>	d <sub>m</sub>	D <sub>1</sub>	d <sub>e</sub>	d <sub>p</sub>	d <sub>m</sub>	D <sub>1</sub>	d <sub>e</sub>	d <sub>p</sub>	d <sub>m</sub>
47	49	47	30	10	73.5	70.5	50	14	98	94	60	16	122.5	117.5	80	20
48	50	48	30	10	75.0	72.0	50	14	100	96	70	16	125.0	120.0	80	20
49	51	49	30	10	76.5	73.5	50	14	102	98	70	16	127.5	122.5	80	20
50	52	50	30	12	78.0	75.0	50	14	104	100	70	16	130.0	125.0	80	20
51	53	51	40	12	79.5	76.5	60	15	106	102	70	20	132.5	127.5	90	20
52	54	52	40	12	81.0	78.0	60	15	108	104	70	20	135.0	130.0	90	20
53	55	53	40	12	82.5	79.5	60	15	110	106	70	20	137.5	132.5	90	20
54	56	54	40	12	84.0	81.0	60	15	112	108	70	20	140.0	135.0	90	20
55	57	55	40	12	85.5	82.5	60	15	114	110	70	20	142.5	137.5	90	20
56	58	56	40	12	87.0	84.0	60	15	116	112	70	20	145.0	140.0	100	20
57	59	57	40	12	88.5	85.5	60	15	118	114	70	20	147.5	142.5	100	20
58	60	58	40	12	90.0	87.0	60	15	120	116	70	20	150.0	145.0	100	20
59	61	59	40	12	91.5	88.5	60	15	122	118	70	20	152.5	147.5	100	20
60	62	60	40	12	93.0	90.0	60	15	124	120	70	20	155.0	150.0	100	20
61	63	61	50	12	94.5	91.5	70	20	126	122	80	20	-	-	-	-
62	64	62	50	12	96.0	93.0	70	20	128	124	80	20	-	-	-	-
63	65	63	50	12	97.5	94.5	70	20	130	126	80	20	-	-	-	-
64	66	64	50	12	99.0	96.0	70	20	132	128	80	20	-	-	-	-
65	67	65	50	12	100.5	97.5	70	20	134	130	80	20	-	-	-	-
66	68	66	50	12	102.0	99.0	70	20	136	132	80	20	-	-	-	-
67	69	67	50	12	103.5	100.5	70	20	138	134	80	20	-	-	-	-
68	70	68	50	12	105.0	102.0	70	20	140	136	80	20	-	-	-	-
69	71	69	50	12	106.5	103.5	70	20	142	138	80	20	-	-	-	-
70	72	70	50	12	108.0	105.0	70	20	144	140	80	20	-	-	-	-



## دنده مقابل نافی دار و بدون نافی

Pressure angle 20°

Material : C45-UNI 7845



### Tooth Width "B" for :

Module 3 = 30 mm

Module 4 = 40 mm

Module 5 = 50 mm

Module 6 = 60 mm

### Total Height "A" for :

Module 3 = 50 mm

Module 4 = 60 mm

Module 5 = 75 mm

Module 6 = 80 mm



Teeth No. Z	Module 3				Module 4				Module 5				Module 6			
	d <sub>e</sub>	d <sub>p</sub>	d <sub>m</sub>	D <sub>1</sub>	d <sub>e</sub>	d <sub>p</sub>	d <sub>m</sub>	D <sub>1</sub>	d <sub>e</sub>	d <sub>p</sub>	d <sub>m</sub>	D <sub>1</sub>	d <sub>e</sub>	d <sub>p</sub>	d <sub>m</sub>	D <sub>1</sub>
22	72	66	50	15	96	88	70	20	120	110	80	25	-	-	-	-
23	75	69	50	15	100	92	75	20	125	115	90	25	-	-	-	-
24	78	72	50	16	104	96	75	20	130	120	90	25	156	144	110	-
25	81	75	60	16	108	100	75	20	135	125	90	25	162	150	110	-
26	84	78	60	16	112	104	75	20	140	130	100	25	-	-	-	-
27	87	81	60	16	116	108	75	20	145	135	100	25	-	-	-	-
28	90	84	60	16	120	112	75	20	150	140	100	25	-	-	-	-
29	93	87	60	16	124	116	75	20	155	145	100	25	-	-	-	-
30	96	90	60	16	128	120	75	20	160	150	100	25	-	-	-	-
31	99	93	70	20	132	124	80	20	-	-	-	-	-	-	-	-
32	102	96	70	20	136	128	80	20	-	-	-	-	-	-	-	-
33	105	99	70	20	140	132	80	20	-	-	-	-	-	-	-	-
34	108	102	70	20	144	136	80	20	-	-	-	-	-	-	-	-
35	111	105	70	20	148	140	80	20	-	-	-	-	-	-	-	-
36	114	108	70	20	152	144	80	20	-	-	-	-	-	-	-	-
37	117	111	80	20	-	-	-	-	-	-	-	-	-	-	-	-
38	120	114	80	20	-	-	-	-	-	-	-	-	-	-	-	-
39	123	117	80	20	-	-	-	-	-	-	-	-	-	-	-	-
40	126	120	80	20	-	-	-	-	-	-	-	-	-	-	-	-
41	129	123	90	20	-	-	-	-	-	-	-	-	-	-	-	-
42	132	126	90	20	-	-	-	-	-	-	-	-	-	-	-	-
43	135	129	90	20	-	-	-	-	-	-	-	-	-	-	-	-
44	138	132	90	20	-	-	-	-	-	-	-	-	-	-	-	-
45	141	135	90	20	-	-	-	-	-	-	-	-	-	-	-	-
46	144	138	90	20	-	-	-	-	-	-	-	-	-	-	-	-
47	147	141	90	20	-	-	-	-	-	-	-	-	-	-	-	-
48	150	144	100	20	-	-	-	-	-	-	-	-	-	-	-	-

